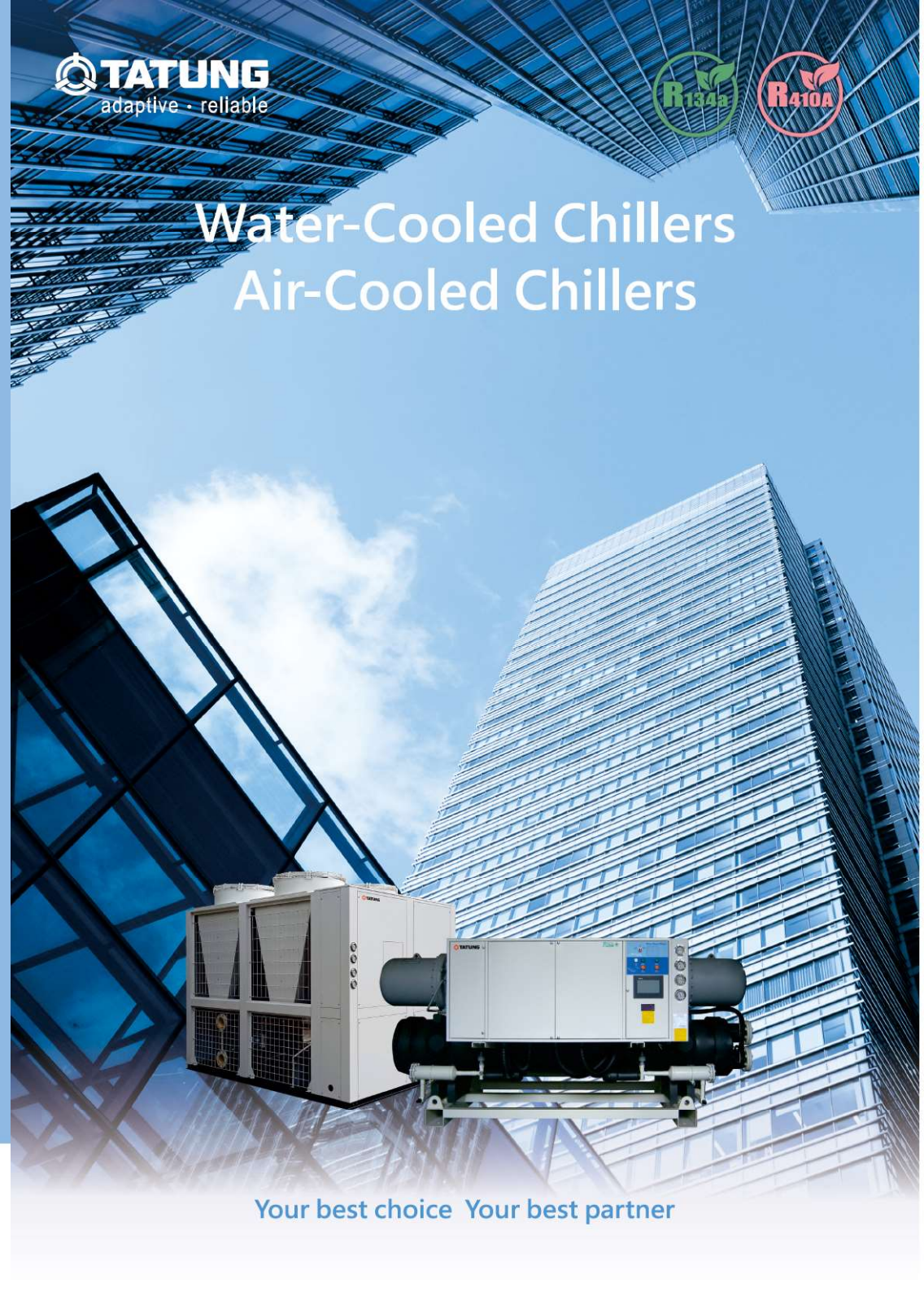


TATUNG
adaptive · reliable



Water-Cooled Chillers Air-Cooled Chillers



TATUNG CO.

22 Chungshan North Road, 3rd Sec., Taipei 104, Taiwan, R.O.C
Tel : 886-2-25925252 Ext.2660
Fax : 886-2-25984436
E-mail:calvin.ho@tatung.com

AIR CONDITIONER TAO YUAN PLANT

38 Lane 1119 Daquan Road, Ta Yuan, Tao Yuan Country 337,
Taiwan, R.O.C.
Tel : 886-3-3861111 Fax : 886-3-3864901
http : //www.tatung.com

2020.06 No.492-12110-23H

Your best choice Your best partner

Water-Cooled Chillers



■ Features

● Compressor

High efficiency semi-hermetic twin screw compressors. Compressor structure is simple, easy maintenance, energy saving and low noise operation, and has to follow the loading step or linear capacity control to achieve stable, comfortable, energy saving.



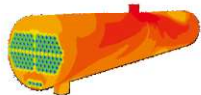
● Evaporator

Excellent performance by shell-and-tube flooded type evaporator design, and using high efficiency cooper tubes.



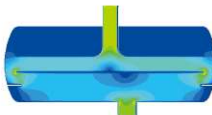
● Condenser

Excellent performance by shell-and-tube flooded type condenser design, and using high efficiency cooper tubes.



● Oil separator

Make use of the filter screen to separate the refrigeration oil that is drained by compressor, and have the oil flow back through the filter screen of compressor suction side into the oil tank from the circulation return pipe by means of pressure difference.



● Electrically operated expansion valve

ETS is a series of electrically operated expansion valves for precise liquid injection in evaporators for air conditioning and refrigeration applications.

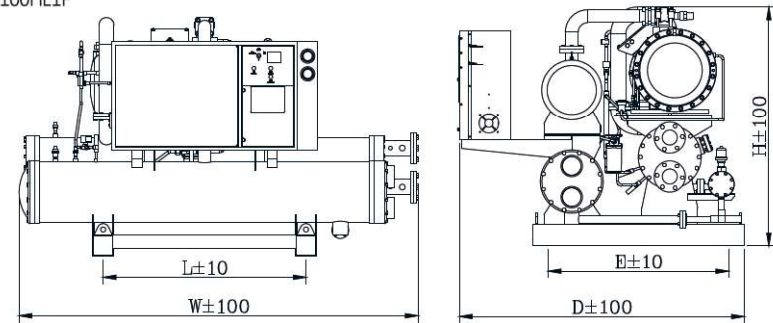


● Capacity test laboratory

The Taiwan Accreditation Foundation (TAF) is the only body in Taiwan recognised by Government for the accreditation of conformity assessment against international standards.



TCW-40~100HL1F



■ Specifications

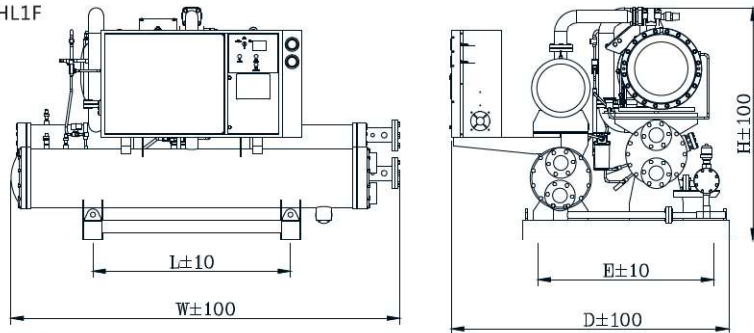
Model		TCW-40HL1F	TCW-50HL1F	TCW-60HL1F	TCW-80HL1F	TCW-100HL1F	
Power Source		3Ø 380V 50Hz					
Cooling Capacity	kW	141.0	176.0	211.0	281.0	352.0	
	Btu/hr	480,000	600,000	720,000	960,000	1,200,000	
Power Consumption	kW	31.0	38.0	46.0	62.0	74.0	
Running Current	A	54	66	80	108	129	
COP	kW/kW	4.55	4.63	4.59	4.53	4.76	
EER	Btu/hr.W	15.48	15.79	15.65	15.48	16.22	
Dimension	Height (H)	mm	1,400	1,500	1,500	1,600	1,700
	Width (W)	mm	2,000	2,300	2,600	2,800	2,800
	Depth (D)	mm	1,600	1,600	1,600	1,700	1,700
Foundation holes (L×E)		mm	1,100×1,100	1,100×1,100	1,200×1,100	1,500×1,250	1,500×1,250
Evaporator	Type	Flooded					
	Flow rate	400	500	600	800	1000	
	Lost head	4.0	4.0	4.0	4.0	4.0	
	Pipe connections	3B Flange	3B Flange	3B Flange	4B Flange	4B Flange	
Condenser	Type	Shell and Tube					
	Flow rate	500	625	750	1000	1250	
	Lost head	4.0	4.0	4.0	4.0	5.0	
	Pipe connections	PT 3	PT 3	PT 4	PT 4	4B Flange	
Refrigerant control		Electrically expansion valve					
Compressor	Type	Semi-hermetic screw					
	Quantity	1	1	1	1	1	
Capacity step	%	0.50,75,100					
Starting method		Y-Δ					
Safety devices		High/low pressure switch, Cooling different pressure switch, Discharge temp. protector, Over current relay, Relief valve Phase reversal protector, Thermal interior protector, Antifreeze protector, Oil level protector switch, Motor winding protector					
Refrigerant		R134a					
Net weight	kg	1,250	1,600	1,750	1,900	2,300	
Operation weight	kg	1,500	1,900	2,100	2,300	2,800	
Noise	dBA	83	85	87	85	85	
Vibration	mm/s	2.07	1.70	1.88	1.35	2.83	

Note: 1. Cooling capacity is on: cooling water outlet 35°C, inlet 30°C; Chilled water outlet 7°C, inlet 12°C.
2. Specifications are subject to change with out notice for further improvement.

Water-Cooled Chillers



TCW-120~180HL1F

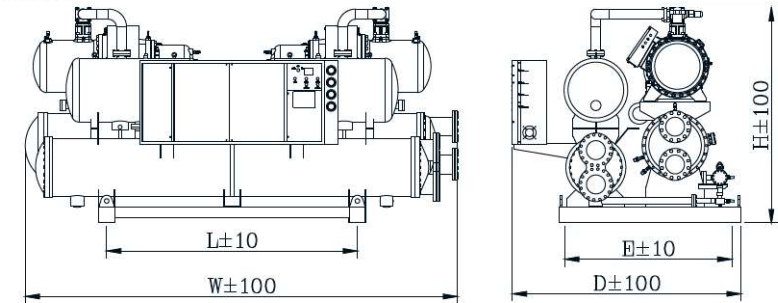


■ Specifications

Model		TCW-120HL1F	TCW-150HL1F	TCW-160HL1F	TCW-180HL1F	
Power Source		3Ø 380V 50Hz				
Cooling Capacity	kW	422.0	527.0	563.0	633.0	
	Btu/hr	1,440,000	1,800,000	1,920,000	2,160,000	
Power Consumption	kW	89.0	107.0	114.0	128.0	
Running Current	A	155	182	199	224	
COP	kW/kW	4.74	4.93	4.94	4.95	
EER	Btu/hr.W	16.18	16.82	16.84	16.88	
Dimension	Height (H)	mm	1,700	1,900	1,900	2,000
	Width (W)	mm	2,900	3,200	3,200	3,400
	Depth (D)	mm	1,700	2,100	2,100	2,200
Foundation holes (L×E)	mm	1,400×1,300	1,800×1,400	1,800×1,400	2,200×1,800	
Evaporator	Type	Flooded				
	Flow rate	1,200	1,500	1,600	1,800	
	Lost head	4.0	4.0	4.5	4.5	
	Pipe connections	4B Flange	5B Flange	5B Flange	5B Flange	
Condenser	Type	Shell and Tube				
	Flow rate	1,500	1,875	2,000	2,250	
	Lost head	5.0	6.0	6.0	6.0	
	Pipe connections	4B Flange	5B Flange	5B Flange	5B Flange	
Refrigerant control	Electrically expansion valve					
Compressor	Type	Semi - hermetic screw				
	Quantity	1	1	1	1	
Capacity step	%	0,50,75,100				
Starting method	Y-Δ					
Safety devices	High/low pressure switch, Cooling different pressure switch, Discharge temp. protector, Over current relay, Relief valve Phase reversal protector, Thermal interior protector, Antifreeze protector, Oil level protector switch, Motor winding protector					
Refrigerant	R134a					
Net weight	kg	2,500	3,000	3,200	3,400	
Operation weight	kg	3,000	3,600	3,850	4,100	
Noise	dBA	87	89	89	90	
Vibration	mm/s	1.70	1.51	1.88	1.99	

Note: 1.Cooling capacity is on:cooling water outlet 35°C, inlet 30 °C; Chilled water outlet 7°C, inlet 12 °C.
2.Specifications are subject to change with out notice for further improvement.

TCW-80~160HL2F



■ Specifications

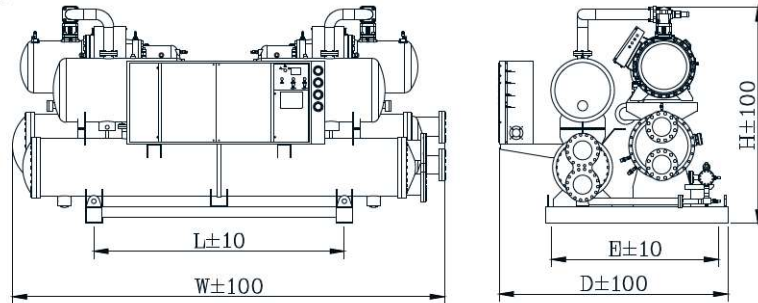
Model		TCW-80HL2F	TCW-100HL2F	TCW-120HL2F	TCW-150HL2F	TCW-160HL2F	
Power Source		3Ø 380V 50Hz					
Cooling Capacity	kW	281.0	352.0	422.0	527.0	563.0	
	Btu/hr	960,000	1,200,000	1,440,000	1,800,000	1,920,000	
Power Consumption	kW	62.0	74.0	88.0	107.0	114.0	
Running Current	A	108	130	145	187	199	
COP	kW/kW	4.53	4.76	4.80	4.93	4.94	
EER	Btu/hr.W	15.48	16.22	16.36	16.82	16.84	
Dimension	Height (H)	mm	1,500	1,500	1,600	1,700	1,700
	Width (W)	mm	3,100	3,300	3,400	3,600	3,600
	Depth (D)	mm	1,600	1,600	1,800	1,800	1,800
Foundation holes (L×E)	mm	1,800×1,100	2,000×1,100	1,800×1,200	2,000×1,300	2,000×1,400	
Evaporator	Type	Flooded					
	Flow rate	800	1000	1200	1500	1600	
	Lost head	4.0	4.0	4.0	4.0	4.5	
	Pipe connections	4B Flange	4B Flange	5B Flange	5B Flange	5B Flange	
Condenser	Type	Shell and Tube					
	Flow rate	1000	1250	1500	1875	2000	
	Lost head	5.0	5.0	5.0	6.0	6.0	
	Pipe connections	4B Flange	4B Flange	5B Flange	5B Flange	5B Flange	
Refrigerant control	Electrically expansion valve						
Compressor	Type	Semi - hermetic screw					
	Quantity	2	2	2	2	2	
Capacity step	%	0,25,50,75,100					
Starting method	Y-Δ						
Safety devices	High/low pressure switch, Cooling different pressure switch, Discharge temp. protector, Over current relay, Relief valve Phase reversal protector, Thermal interior protector, Antifreeze protector, Oil level protector switch, Motor winding protector						
Refrigerant	R134a						
Net weight	kg	2,500	3,000	3,150	3,850	4,100	
Operation weight	kg	3,300	3,600	3,850	4,650	5,100	
Noise	dBA	86	85	86	87	89	
Vibration	mm/s	1.51	1.70	1.79	2.26	1.79	

Note: 1.Cooling capacity is on:cooling water outlet 35°C, inlet 30 °C; Chilled water outlet 7°C, inlet 12 °C.
2.Specifications are subject to change with out notice for further improvement.

Water-Cooled Chillers



TCW-180~300HL2F

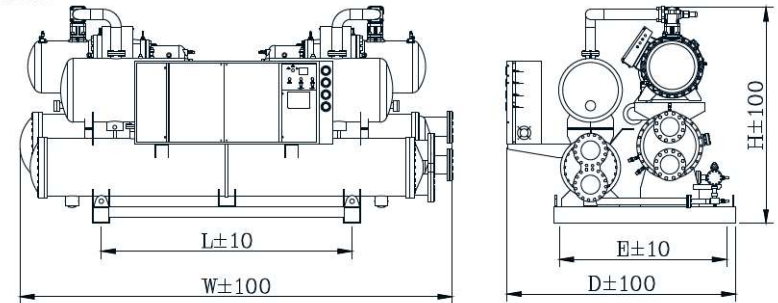


Specifications

Model		TCW-180HL2F	TCW-200HL2F	TCW-240HL2F	TCW-250HL2F	TCW-300HL2F	
Power Source		3Ø 380V 50Hz					
Cooling Capacity	kW	633.0	703.0	844.0	884.0	1055.0	
	Btu/hr	2,160,000	2,400,000	2,880,000	3,000,000	3,600,000	
Power Consumption	kW	128.0	142.0	171.0	173.0	210.0	
Running Current	A	224	248	300	307	367	
COP	kW/kW	4.95	4.95	4.94	5.11	5.02	
EER	Btu/hr.W	16.88	16.90	16.84	17.34	17.14	
Dimension	Height (H)	mm	1,800	1,800	1,900	1,900	2,000
	Width (W)	mm	3,600	3,600	3,700	3,900	3,900
	Depth (D)	mm	1,800	1,800	1,800	2,000	2,100
Foundation holes (L×E)	mm	2,200×1,500	2,200×1,500	2,200×1,500	2,200×1,650	2,200×1,650	
Evaporator	Type	Flooded					
	Flow rate	1800	2000	2400	2500	3000	
	Lost head	4.5	4.5	4.5	5.0	5.0	
	Pipe connections	6B Flange	6B Flange	6B Flange	6B Flange	8B Flange	
Condenser	Type	Shell and Tube					
	Flow rate	2250	2500	3000	3125	3750	
	Lost head	6.0	6.0	6.0	6.5	6.5	
	Pipe connections	6B Flange	6B Flange	6B Flange	6B Flange	8B Flange	
Refrigerant control	Electrically expansion valve						
Compressor	Type	Semi - hermetic screw					
	Quantity	2	2	2	2	2	
Capacity step	%	0,25,50,75,100					
Starting method	Y-Δ						
Safety devices	High/low pressure switch, Cooling different pressure switch, Discharge temp. protector, Over current relay, Relief valve Phase reversal protector, Thermal interior protector, Antifreeze protector, Oil level protector switch, Motor winding protector						
Refrigerant	R134a						
Net weight	kg	4,200	4,300	4,500	4,800	5,500	
Operation weight	kg	5,100	5,200	5,400	5,750	6,600	
Noise	dBA	89	89	87	87	89	
Vibration	mm/s	3.39	2.26	3.20	2.26	2.83	

Note: 1.Cooling capacity is on:cooling water outlet 35°C, inlet 30 °C; Chilled water outlet 7°C, inlet 12 °C.
2.Specifications are subject to change with out notice for further improvement.

TCW-320~500HL2F



Specifications

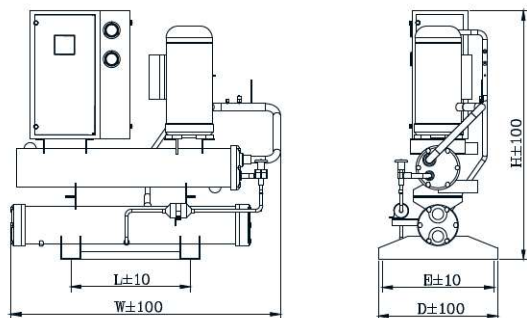
Model		TCW-320HL2F	TCW-350HL2F	TCW-400HL2F	TCW-450HL2F	TCW-500HL2F	
Power Source		3Ø 380V 50Hz					
Cooling Capacity	kW	1,125.0	1,266.0	1,407.0	1,582.0	1,758.0	
	Btu/hr	3,840,000	4,320,000	4,800,000	5,400,000	6,000,000	
Power Consumption	kW	220.0	247.0	275.0	305.0	338.0	
Running Current	A	380	435	480	532	590	
COP	kW/kW	5.11	5.13	5.12	5.19	5.20	
EER	Btu/hr.W	17.45	17.49	17.45	17.70	17.75	
Dimension	Height (H)	mm	2,100	2,100	2,200	2,200	2,200
	Width (W)	mm	4,100	4,100	4,300	4,300	4,300
	Depth (D)	mm	2,100	2,100	2,100	2,200	2,200
Foundation holes (L×E)	mm	2,400×1,700	2,400×1,700	2,400×1,700	2,500×1,700	2,800×1,800	
Evaporator	Type	Flooded					
	Flow rate	3200	3500	4000	4500	5000	
	Lost head	5.0	5.0	5.0	5.0	5.0	
	Pipe connections	8B Flange	8B Flange	8B Flange	8B Flange	8B Flange	
Condenser	Type	Shell and Tube					
	Flow rate	4000	4375	5000	5625	6250	
	Lost head	6.5	6.5	6.6	6.6	6.6	
	Pipe connections	8B Flange	8B Flange	10B Flange	10B Flange	10B Flange	
Refrigerant control	Electrically expansion valve						
Compressor	Type	Semi - hermetic screw					
	Quantity	2	2	2	2	2	
Capacity step	%	0,25,50,75,100					
Starting method	Y-Δ						
Safety devices	High/low pressure switch, Cooling different pressure switch, Discharge temp. protector, Over current relay, Relief valve Phase reversal protector, Thermal interior protector, Antifreeze protector, Oil level protector switch, Motor winding protector						
Refrigerant	R134a						
Net weight	kg	6,700	6,750	7,150	7,500	8,200	
Operation weight	kg	8,050	8,100	8,550	9,000	9,850	
Noise	dBA	89	89	90	92	92	
Vibration	mm/s	2.26	2.64	3.96	4.15	4.18	

Note: 1.Cooling capacity is on:cooling water outlet 35°C, inlet 30 °C; Chilled water outlet 7°C, inlet 12 °C.
2.Specifications are subject to change with out notice for further improvement.

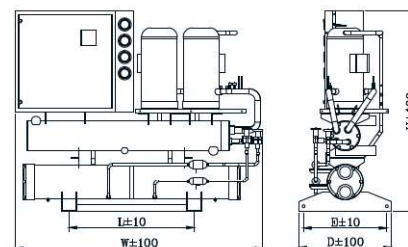
Water-Cooled Chillers



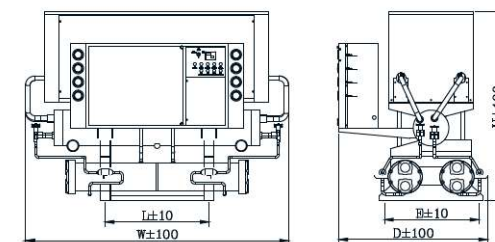
TCW-5NLK1D
TCW-8NLK1D
TCW-10NLK1D
TCW-15NLK1D



TCW-20NLK2D
TCW-30NLK2D



TCW-40NLK4D
TCW-50NLK4D
TCW-60NLK4D



Specifications

Model		TCW-5NLK1D	TCW-8NLK1D	TCW-10NLK1D	TCW-15NLK1D
Power Source		3Ø 380V 50Hz			
Cooling Capacity	kW	17.6	28.0	35.0	53.0
	Btu/hr	60,000	90,000	120,000	180,000
Power Consumption	kW	4.1	6.6	8.3	12.5
Running Current	A	8.0	15.0	17.0	25.0
COP	kW/kW	4.29	4.24	4.22	4.24
EER	Btu/hr.W	14.63	13.64	14.46	14.40
Dimension	Height (H)	mm	1,200	1,200	1,300
	Width (W)	mm	1,100	1,200	1,300
	Depth (D)	mm	600	600	600
Foundation holes (L×E)	mm	500×500	600×500	810×500	810×500
Evaporator	Type	Shell and Tube			
	Flow rate	50	80	100	150
	Lost head	4.0	4.0	4.0	4.5
	Pipe connections	PT 1-1/4	PT 1-1/2	PT 1-1/2	PT 2
Condenser	Type	Shell and Tube			
	Flow rate	65	100	125	190
	Lost head	4.0	4.0	4.0	4.5
	Pipe connections	PT 1-1/4	PT 1-1/2	PT 1-1/2	PT 2
Refrigerant control	Thermostatic expansion valve				
Compressor	Scroll				
Capacity step	%	0,100			
Starting method	Direct				
Safety devices	High/low pressure switch, Over current relay, Phase reversal protector, Fusible plug, Thermal interior protector, Antifreeze protector				
Refrigerant	R410A				
Net weight	kg	175	185	230	270
Operation weight	kg	210	220	280	325
Noise	dB(A)	66	68	69	75
Vibration	mm/s	3.96	5.28	5.47	12.63

Note: 1.Cooling capacity is on:cooling water outlet 35°C, inlet 30 °C; Chilled water outlet 7°C, inlet 12 °C.
2.Specifications are subject to change with out notice for further improvement.

Specifications

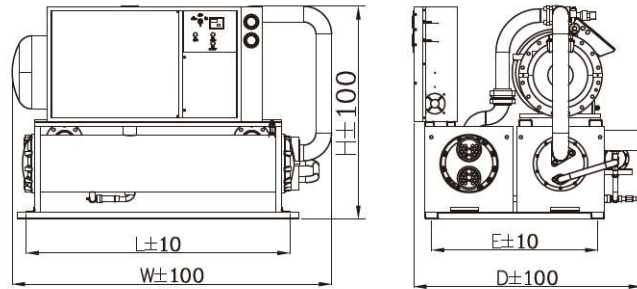
Model		TCW-20NLK2D	TCW-30NLK2D	TCW-40NLK4D	TCW-50NLK4D	TCW-60NLK4D
Power Source		3Ø 380V 50Hz				
Cooling Capacity	kW	70.0	105.0	141.0	176.0	211.0
	Btu/hr	240,000	360,000	480,000	600,000	720,000
Power Consumption	kW	16.6	24.0	33.0	41.0	49.0
Running Current	A	34	51	68	87	103
COP	kW/kW	4.22	4.38	4.27	4.29	4.31
EER	Btu/hr.W	14.46	15.00	14.55	14.63	14.69
Dimension	Height (H)	mm	1,300	1,300	1,400	1,500
	Width (W)	mm	1,700	1,800	2,100	2,200
	Depth (D)	mm	700	750	1,200	1,200
Foundation holes (L*E)	mm	810×500	810×500	800×700	800×700	800×700
Evaporator	Type	Shell and Tube				
	Flow rate	200	300	400	500	600
	Lost head	4.5	4.5	5.0	5.0	5.5
	Pipe connections	PT 2	PT 2-1/2	PT 3	PT 3	4B Flange
Condenser	Type	Shell and Tube				
	Flow rate	250	375	500	625	750
	Lost head	4.5	4.5	5.0	5.0	5.5
	Pipe connections	PT 2	PT 2-1/2	PT 2×2	PT 2-1/2×2	PT 2-1/2×2
Refrigerant control	Thermostatic expansion valve					
Compressor	Scroll					
Capacity step	%	0,50,100		0,25,50,75,100		
Starting method	Sequence Direct					
Safety devices	High/low pressure switch, Over current relay, Phase reversal protector, Fusible plug, Thermal interior protector, Antifreeze protector					
Refrigerant	R410A					
Net weight	kg	380	460	810	910	970
Operation weight	kg	460	550	980	1,100	1,165
Noise	dB(A)	76	78	78	79	79
Vibration	mm/s	12.25	11.87	10.37	9.61	6.03

Note: 1.Cooling capacity is on:cooling water outlet 35°C, inlet 30 °C; Chilled water outlet 7°C, inlet 12 °C.
2.Specifications are subject to change with out notice for further improvement.

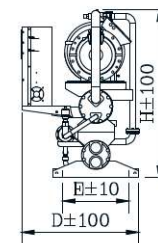
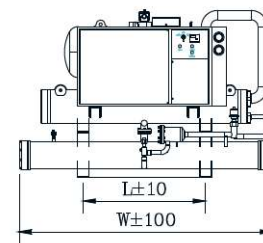
Water-Cooled Chillers



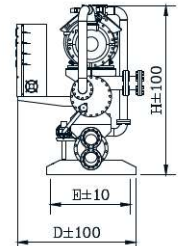
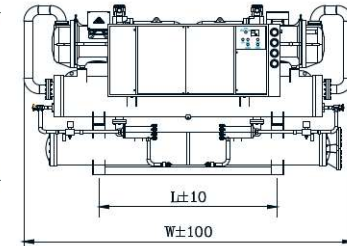
TCW-40HL1D~TCW-100HL1D



TCW-120HL1D
TCW-150HL1D



TCW-80HL2D
TCW-100HL2D
TCW-120HL2D



Specifications

Model		TCW-40HL1D	TCW-50HL1D	TCW-60HL1D	TCW-80HL1D	TCW-100HL1D
Power Source		3Ø 380V 50Hz				
Cooling Capacity	kW	141.0	176.0	211.0	281.0	352.0
	Btu/hr	480,000	600,000	720,000	960,000	1,200,000
Power Consumption	kW	33.0	41.0	50.0	66.0	83.0
Running Current	A	60	74	90	119	150
COP	kW/kW	4.27	4.29	4.22	4.26	4.24
EER	Btu/hr.W	14.55	14.63	14.40	14.55	14.46
Dimension	Height (H)	mm	1,500	1,700	1,900	1,900
	Width (W)	mm	2,400	2,600	2,600	2,800
	Depth (D)	mm	1,100	1,200	1,200	1,200
Foundation holes (L×E)	mm	1,000×540	1,200×540	1,200×540	1,400×540	1,400×740
Evaporator	Type	Shell and Tube				
	Flow rate	400	500	600	800	1,000
	Lost head	4.0	5.0	5.0	5.0	5.0
	Pipe connections	3B Flange	3B Flange	3B Flange	4B Flange	4B Flange
Condenser	Type	Shell and Tube				
	Flow rate	500	625	750	1,000	1,250
	Lost head	4.0	4.0	4.0	4.0	5.0
	Pipe connections	PT 3	PT 3	PT 4	PT 4	4B Flange
Refrigerant control	Thermostatic expansion valve					
Compressor	Type	Semi - hermetic screw				
	Quantity	1	1	1	1	1
Capacity step	%	0,50,75,100				
Starting method	Y-Δ					
Safety devices	High/low pressure switch, Cooling different pressure switch, Discharge temp. protector, Over current relay, Relief valve Phase reversal protector, Thermal interior protector, Antifreeze protector, Oil level protector switch, Motor winding protector					
Refrigerant	R134a					
Net weight	kg	1,200	1,300	1,350	1,550	1,600
Operation weight	kg	1,450	1,600	1,650	1,900	1,950
Noise	dBA	85	86	86	86	86
Vibration	mm/s	2.07	2.26	2.83	2.26	2.83

Note: 1.Cooling capacity is on:cooling water outlet 35°C, inlet 30 °C; Chilled water outlet 7°C, inlet 12 °C.
2.Specifications are subject to change with out notice for further improvement.

Specifications

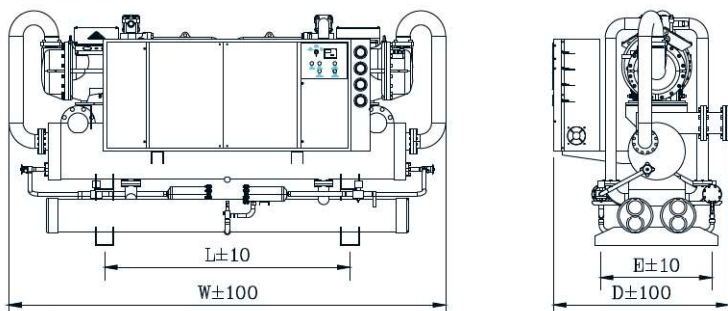
Model		TCW-120HL1D	TCW-150HL1D	TCW-80HL2D	TCW-100HL2D	TCW-120HL2D
Power Source		3Ø 380V 50Hz				
Cooling Capacity	kW	422.0	527.0	281.0	352.0	422.0
	Btu/hr	1,200,000	1,800,000	960,000	1,200,000	1,440,000
Power Consumption	kW	100.0	125.0	66.0	82.0	100.0
Running Current	A	180	225	120	148	180
COP	kW/kW	4.22	4.22	4.26	4.29	4.22
EER	Btu/hr.W	12.00	14.40	14.55	14.63	14.40
Dimension	Height (H)	mm	1,900	1,900	1,700	1,800
	Width (W)	mm	3,000	3,000	3,300	3,300
	Depth (D)	mm	1,300	1,300	1,200	1,200
Foundation holes (L×E)	mm	1,500×740	1,500×740	1,800×740	1,800×740	1,800×740
Evaporator	Type	Shell and Tube				
	Flow rate	1,200	1,500	800	1,000	1,200
	Lost head	5.0	5.0	5.0	5.0	5.0
	Pipe connections	5B Flange	5B Flange	4B Flange	4B Flange	5B Flange
Condenser	Type	Shell and Tube				
	Flow rate	1,500	1,875	1,000	1,250	1,500
	Lost head	5.0	6.0	4.0	5.0	5.0
	Pipe connections	5B Flange	5B Flange	PT 4	PT 4	5B Flange
Refrigerant control	Thermostatic expansion valve					
Compressor	Type	Semi - hermetic screw				
	Quantity	1	1	2	2	2
Capacity step	%	0,50,75,100		0,25,50,75,100		
Starting method	Y-Δ					
Safety devices	High/low pressure switch, Cooling different pressure switch, Discharge temp. protector, Over current relay, Relief valve Phase reversal protector, Thermal interior protector, Antifreeze protector, Oil level protector switch, Motor winding protector					
Refrigerant	R134a					
Net weight	kg	1,800	2,000	2,100	2,300	2,600
Operation weight	kg	2,150	2,400	2,500	2,750	3,150
Noise	dBA	87	89	85	85	86
Vibration	mm/s	2.45	3.39	3.02	3.20	3.58

Note: 1.Cooling capacity is on:cooling water outlet 35°C, inlet 30 °C; Chilled water outlet 7°C, inlet 12 °C.
2.Specifications are subject to change with out notice for further improvement.

Water-Cooled Chillers



TCW-160HL2D~TCW-300HL2D

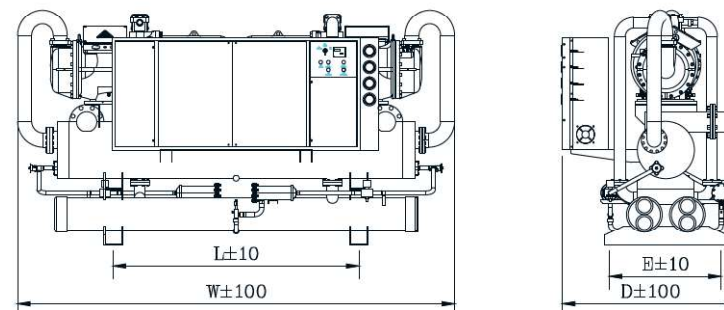


Specifications

Model		TCW-160HL2D	TCW-180HL2D	TCW-200HL2D	TCW-240HL2D	TCW-300HL2D
Power Source		3Ø 380V 50Hz				
Cooling Capacity	kW	563.0	633.0	703.0	844.0	1055.0
	Btu/hr	1,920,000	2,160,000	2,400,000	2,880,000	3,600,000
Power Consumption	kW	132.0	150.0	166.0	200.0	250.0
Running Current	A	237	270	300	360	450
COP	kW/kW	4.27	4.22	4.23	4.22	4.22
EER	Btu/hr.W	14.55	144.00	14.46	14.40	14.40
Dimension	Height (H)	mm	2,000	2,000	2,000	2,300
	Width (W)	mm	3,700	3,800	3,800	4,100
	Depth (D)	mm	1,400	1,500	1,500	1,600
Foundation holes (L×E)	mm	2,000×840	2,000×840	2,000×840	2,000×840	2,000×1,200
Evaporator	Type	Shell and Tube				
	Flow rate	1,600	1,800	2,000	2,400	3,000
	Lost head	5.0	5.0	5.0	6.0	6.5
	Pipe connections	5B Flange	5B Flange	6B Flange	6B Flange	8B Flange
Condenser	Type	Shell and Tube				
	Flow rate	2,000	2,250	2,500	3,000	3,750
	Lost head	6.0	6.0	6.0	6.0	6.4
	Pipe connections	PT 4×2	PT 4×2	PT 4×2	5B Flange×2	6B Flange×2
Refrigerant control		Thermostatic expansion valve				
Compressor	Type	Semi - hermetic screw				
	Quantity	2	2	2	2	2
Capacity step	%	0,25,50,75,100				
Starting method		Y-Δ				
Safety devices		High/low pressure switch, Cooling different pressure switch, Discharge temp. protector, Over current relay, Relief valve Phase reversal protector, Thermal interior protector, Antifreeze protector, Oil level protector switch, Motor winding protector				
Refrigerant		R134a				
Net weight	kg	3,200	3,800	4,000	4,400	4,800
Operation weight	kg	3,850	4,550	4,800	5,300	5,800
Noise	dB(A)	86	87	89	89	90
Vibration	mm/s	2.64	3.96	3.58	3.20	4.71

Note: 1.Cooling capacity is on:cooling water outlet 35°C, inlet 30 °C; Chilled water outlet 7°C, inlet 12 °C.
2.Specifications are subject to change with out notice for further improvement.

TCW-360HL2D
TCW-400HL2D
TCW-500HL2D



Specifications

Model		TCW-360HL2D	TCW-400HL2D	TCW-500HL2D
Power Source		3Ø 380V 50Hz		
Cooling Capacity	kW	1,266.0	1,406.0	1,758.0
	Btu/hr	4,320,000	4,800,000	6,000,000
Power Consumption	kW	298.0	330.0	413.0
Running Current	A	536	594	743
COP	kW/kW	4.25	4.26	4.26
EER	Btu/hr.W	14.50	14.55	14.53
Dimension	Height (H)	mm	2,400	2,500
	Width (W)	mm	4,800	4,900
	Depth (D)	mm	1,900	2,000
Foundation holes (L×E)	mm	2,000×1,400	2,000×1,400	2,000×1,400
Evaporator	Type	Shell and Tube		
	Flow rate	3,600	4,000	5,000
	Lost head	6.5	8.0	9.0
	Pipe connections	8B Flange	10B Flange	10B Flange
Condenser	Type	Shell and Tube		
	Flow rate	4,500	5,000	6,250
	Lost head	6.5	8.0	8.0
	Pipe connections	6B Flange*2	6B Flange*2	6B Flange*2
Refrigerant control		Thermostatic expansion valve		
Compressor	Type	Semi - hermetic screw		
	Quantity	2	2	2
Capacity step	%	0,25,50,75,100		
Starting method		Y-Δ		
Safety devices		High/low pressure switch, Cooling different pressure switch, Discharge temp. protector, Over current relay, Relief valve Phase reversal protector, Thermal interior protector, Antifreeze protector, Oil level protector switch, Motor winding protector		
Refrigerant		R134a		
Net weight	kg	5,300	5,900	6,800
Operation weight	kg	6,350	7,100	8,500
Noise	dB(A)	92	92	92
Vibration	mm/s	4.52	5.09	5.84

Note: 1.Cooling capacity is on:cooling water outlet 35°C, inlet 30 °C; Chilled water outlet 7°C, inlet 12 °C.
2.Specifications are subject to change with out notice for further improvement.

Air-Cooled Chillers

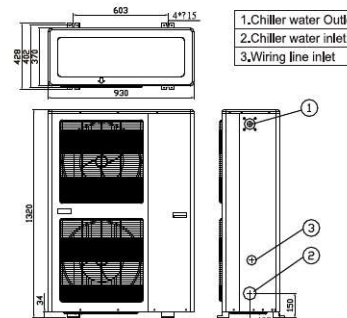


■ Features

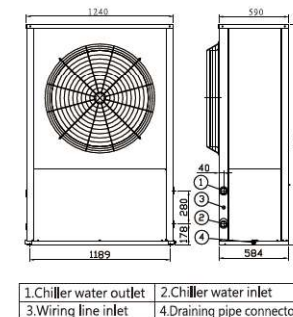
- Chiller pump is standard accessory for TCA-5~30NAK Series.
- Adopt stainless-made plate heat exchanger as evaporator (for TCA-5~30NAK Series) which make the units more compact and have higher efficiency.
- The condenser adopts corrosion-resisting fin to increase its life cycle and maintain easily.
- Adopt scroll compressor(for TCA-5~60NAK Series) of high efficiency, energy-saving.
- Automatic micro-controller let the temperature control more smoothly.
- Independent compressor protection mode can avoid all systems stopping if only one compressor is abnormal(for dual systems and above).



TCA-5NAK1A



TCA-8/10NAK1A



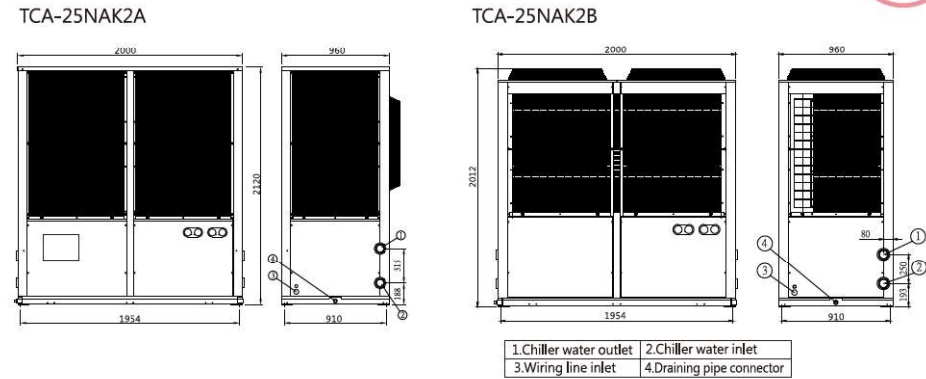
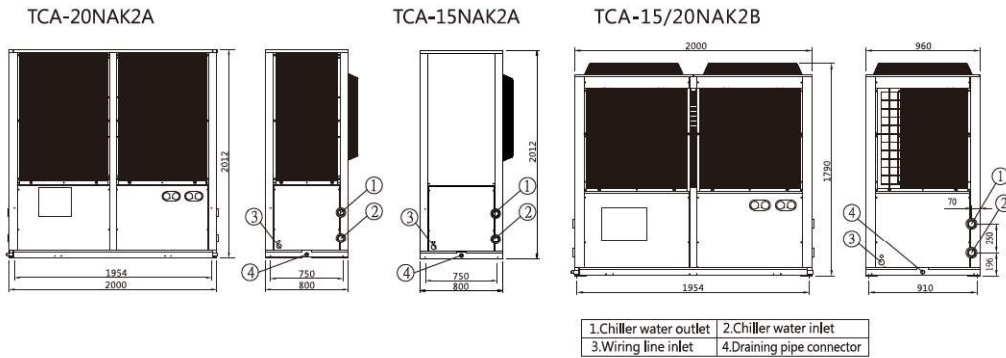
■ Specifications

Model		TCA-5NAK1A	TCA-8NAK1A	TCA-10NAK1A
Power source		3Ø 380V 50Hz		
Cooling Capacity	kW	14.7	23.4	29.3
	Btu/hr	50,000	80,000	100,000
Water flow rate	L/min	42	67.0	84
Running Current	A	9.5	15.3	19.2
Power Consumption	kW	4.9	7.8	9.8
COP	kW/kW	3.00	3.00	2.99
EER	Btu/hr.W	10.20	10.26	10.20
Compressor	Type	Hermetic Scroll		
	Quantity	1	1	1
	Capacity Step	%	100.0	100.0
	Starting method	Direct		
Fan	Type	Propeller		
	Quantity	2	1	1
	Output	W	84 × 2	460 × 1
Condenser	Cross Fin Coil		Cross Fin Coil	
Evaporator	Stainless Plate Heat Exchanger		Stainless Plate Heat Exchanger	
Refrigerant control	Capillary tube		Thermal Expansion Valve	
Refrigerant	R-410A		R-410A	
Safety Devices	High pressure switch , Low pressure switch ,Chilled water low temp ,Reversal phase protector , Compressor overload switch, Fan motor internal thermal protector. Water pump overload switch, Compressor 3- minute restarting protector			
Water Pump	kw	0.55	1.1	1.1
Pipe	Chiller inlet/outlet	PT 1 1/4	PT 1 1/2	PT 1 1/2
	Draining	--	PT 1	PT 1
Dimensions	Height	mm	1,320	1,910
	Width	mm	930	1,240
	Depth	mm	370	590
Foundation-hole pitches	Width	mm	603	1,189
	Depth	mm	402	534
Weight	kg	135	300	340

Notes:

- 1.Cooling capacity is based on: chiller water inlet temperature 12°C, outlet temperature 7°C; ambient temperature. 35°CDB/ 24°CWB, Fouling factor :0.0001m²°C/W
- 2.Operating limitation: ambient temperature 10°C~43°C; Chiller water temperature 5°C~16°C
- 3.Owing to technological advances, the above specifications might be updated without early notice.
- 4.If any other special specifications are needed, please notify our sales in advance.
- 5.1KW=860 kcal/hr;1kcal/hr=3.968 Btu/hr.

Air-Cooled Chillers



Specifications

Model		TCA-15NAK2A	TCA-15NAK2B	TCA-20NAK2A	TCA-20NAK2B
Power source		3Ø 380V 50Hz			
Cooling Capacity	kW	44.0		58.6	
	Btu/hr	150,000		200,000	
Water flow rate	L/min	126		168	
Running Current	A	27.3		37.3	
Power Consumption	kW	14.0		19.2	
COP	kW/kW	3.14		3.05	
EER	Btu/hr.W	10.71		10.41	
Compressor	Type	Hermetic Scroll		Hermetic Scroll	
	Quantity	2		2	
	Capacity Step	100,50,0		100,50,0	
	Starting method	Sequence Direct		Sequence Direct	
Fan	Type	Propeller		Propeller	
	Quantity	2		2	
	Output	460 × 2		460 × 2	
Condenser		Cross Fin Coil			
Evaporator		Stainless Plate Heat Exchanger			
Refrigerant control		Thermal Expansion Valve			
Refrigerant		R-410A			
Safety Devices		High pressure switch , Low pressure switch ,Chilled water low temp ,Reversal phase protector , Compressor overload switch, Fan motor internal thermal protector, Water pump overload switch, Compressor 3- minute restarting protector			
Water Pump	kw	2.0	2.0	2.0	2.0
Pipe	Chiller inlet/outlet	PT 2	PT 1	PT 2	PT 2
	Draining	PT 1	PT 1	PT 1	PT 1
Dimensions	Height	mm	2,012	1,790	2,012
	Width	mm	2,000	2,000	2,000
	Depth	mm	800	960	800
Foundation-hole pitches	Width	mm	1,954	1,954	1,954
	Depth	mm	750	910	750
Weight	kg	500	580	620	640

Notes:

- Cooling capacity is based on: chiller water inlet temperature 12°C, outlet temperature 7°C; ambient temperature. 35°CDB/ 24°CWB, Fouling factor :0.0001m²°C/W
- Operating limitation: ambient temperature 10°C~43°C; Chiller water temperature 5°C~16°C
- Owing to technological advances, the above specifications might be updated without early notice.
- If any other special specifications are needed, please notify our sales in advance.
- 1KW=860 kcal/hr;1kcal/hr=3.968 Btu/hr.

Specifications

Model		TCA-25NAK2A	TCA-25NAK2B
Power source		3Ø 380V 50Hz	
Cooling Capacity	kW	73.3	73.3
	Btu/hr	250,000	250,000
Water flow rate	L/min	210	210
Running Current	A	47.1	49.5
Power Consumption	kW	24.2	24.2
COP	kW/kW	3.03	3.03
EER	Btu/hr.W	10.33	10.33
Compressor	Type	Hermetic Scroll	
	Quantity	2	
	Capacity Step	100,50,0	
	Starting method	Sequence Direct	
Fan	Type	Propeller	
	Quantity	2	
	Output	790 × 2	
Condenser		Cross Fin Coil	
Evaporator		Stainless Plate Heat Exchanger	
Refrigerant control		Thermal Expansion Valve	
Refrigerant		R-410A	
Safety Devices		High pressure switch , Low pressure switch ,Chilled water low temp ,Reversal phase protector , Compressor overload switch, Fan motor internal thermal protector, Water pump overload switch, Compressor 3- minute restarting protector	
Water Pump	kw	2.2	2.2
Pipe	Chiller inlet/outlet	PT 2 1/2	PT 2 1/2
	Draining	PT 1	PT 1
Dimensions	Height	mm	2,120
	Width	mm	2,000
	Depth	mm	960
Foundation-hole pitches	Width	mm	1,954
	Depth	mm	910
Weight	kg	710	730

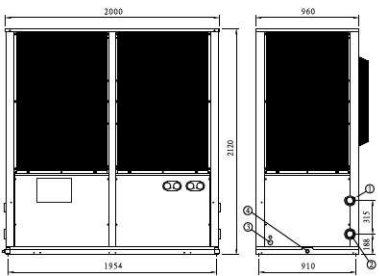
Notes:

- Cooling capacity is based on: chiller water inlet temperature 12°C, outlet temperature 7°C; ambient temperature. 35°CDB/ 24°CWB, Fouling factor :0.0001m²°C/W
- Operating limitation: ambient temperature 10°C~43°C; Chiller water temperature 5°C~16°C
- Owing to technological advances, the above specifications might be updated without early notice.
- If any other special specifications are needed, please notify our sales in advance.
- 1KW=860 kcal/hr;1kcal/hr=3.968 Btu/hr.

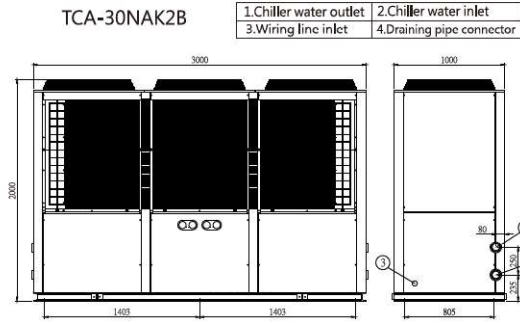
Air-Cooled Chillers



TCA-30NAK2A



TCA-30NAK2B



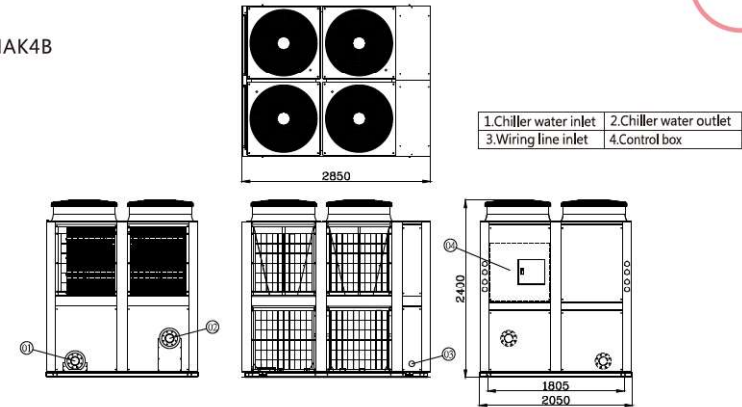
Specifications

Model		TCA-30NAK2A	TCA-30NAK2B
Power source		3Ø 380V 50Hz	
Cooling Capacity	kW	87.9	87.9
	Btu/hr	300,000	300,000
Water flow rate	L/min	252	252
Running Current	A	55.3	55.3
Power Consumption	kW	28.4	28.4
COP	kW/kW	3.10	3.10
EER	Btu/hr.W	10.56	10.56
Compressor	Type	Hermetic Scroll	Hermetic Scroll
	Quantity	2	2
	Capacity Step	%	100,50,0
	Starting method	Sequence Direct	Sequence Direct
Fan	Type	Propeller	Propeller
	Quantity	2	2
	Output	W	790 × 2
Condenser		Cross Fin Coil	
Evaporator		Stainless Plate Heat Exchanger	
Refrigerant control		Thermal Expansion Valve	
Refrigerant		R-410A	
Safety Devices		High pressure switch , Low pressure switch ,Chilled water low temp ,Reversal phase protector , Compressor overload switch, Fan motor internal thermal protector, Water pump overload switch, Compressor 3- minute restarting protector	
Water Pump	kw	2.2	2.2
Pipe	Chiller inlet/outlet	PT 2 1/2	PT 2 1/2
	Draining	PT 1	PT 1
Dimensions	Height	mm	2,120
	Width	mm	2,000
	Depth	mm	960
Foundation-hole pitches	Width	mm	1,954
	Depth	mm	910
Weight	kg	855	920

Notes:

- Cooling capacity is based on: chiller water inlet temperature 12°C, outlet temperature 7°C; ambient temperature. 35°CDB/ 24°CWB, Fouling factor :0.0001m²°C/W
- Operating limitation: ambient temperature 10°C~43°C; Chiller water temperature 5°C~16°C
- Owing to technological advances, the above specifications might be updated without early notice.
- If any other special specifications are needed, please notify our sales in advance.
- 1KW=860 kcal/hr;1kcal/hr=3.968 Btu/hr.

TCA-40/50/60NAK4B



Specifications

Model		TCA-40NAK4B	TCA-50NAK4B	TCA-60NAK4B	
Power source		3Ø 380V 50Hz			
Cooling Capacity	kW	117.2	146.5	175.8	
	Btu/hr	400,000	500,000	600,000	
Water flow rate	L/min	336	420	504	
Running Current	A	80.8	101.9	120.7	
Power Consumption	kW	39.1	49.8	59.6	
COP	kW/kW	3.00	2.94	2.95	
EER	Btu/hr.W	10.23	10.04	10.07	
Compressor	Type	Hermetic Scroll	Hermetic Scroll	Hermetic Scroll	
	Quantity	4	4	4	
	Capacity Step	%	100,75,50,25,0	100,75,50,25,0	100,75,50,25,0
	Starting method	Sequence Direct	Sequence Direct	Sequence Direct	
Fan	Type	Propeller	Propeller	Propeller	
	Quantity	4	4	4	
	Output	W	1,550 × 4	1,550 × 4	1,550 × 4
Condenser		Cross Fin Coil			
Evaporator		Shell & Tube			
Refrigerant control		Thermal Expansion Valve			
Refrigerant		R-410A			
Safety Devices		High pressure switch , Low pressure switch ,Chilled water low temp ,Reversal phase protector , Compressor overload switch, Fan motor internal thermal protector, Compressor restarting protector			
Water Pump	kw	--	--	--	
Pipe	Chiller inlet/outlet	3B Flange	3B Flange	4B Flange	
	Draining	--	--	--	
Dimensions	Height	mm	2,400	2,400	
	Width	mm	2,850	2,850	
	Depth	mm	2,050	2,050	
Foundation-hole pitches	Width	mm	2,655	2,655	
	Depth	mm	1,805	1,805	
Weight	kg	1,800	1,850	1,900	

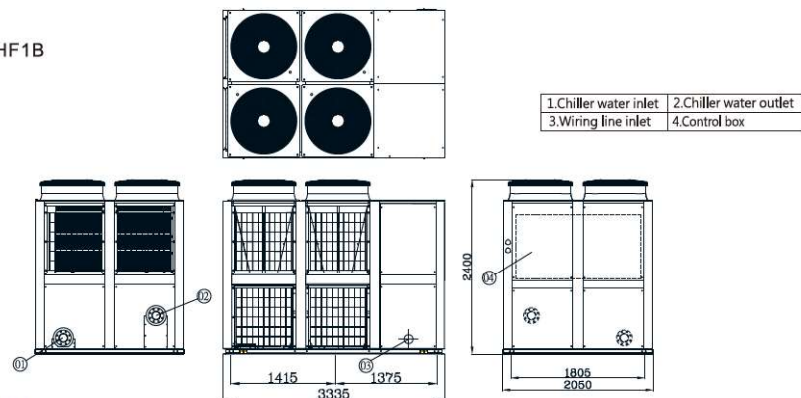
Notes:

- Cooling capacity is based on: chiller water inlet temperature 12°C, outlet temperature 7°C; ambient temperature. 35°CDB/ 24°CWB, Fouling factor :0.0001m²°C/W
- Operating limitation: ambient temperature 10°C~43°C; Chiller water temperature 5°C~16°C
- Owing to technological advances, the above specifications might be updated without early notice.
- If any other special specifications are needed, please notify our sales in advance.
- 1KW=860 kcal/hr;1kcal/hr=3.968 Btu/hr.

Air-Cooled Chillers



TCA-40/50/60HF1B



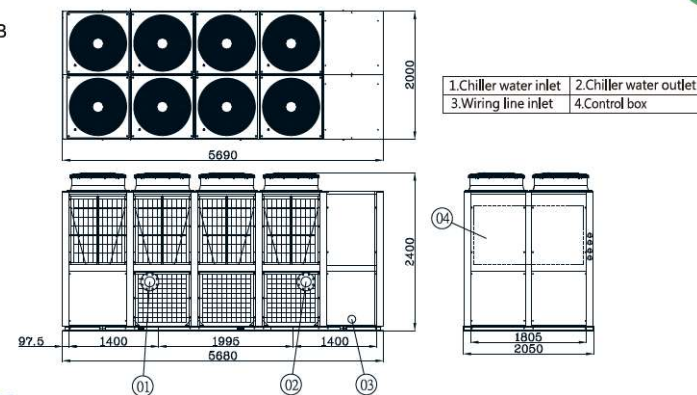
Specifications

Model		TCA-40HF1B	TCA-50HF1B	TCA-60HF1B
Power source		3Ø 380V 50Hz		
Cooling Capacity	kW	117.2	146.5	175.8
	Btu/hr	400,000	500,000	600,000
Water flow rate	L/min	336	420	504
Running Current	A	78.7	99.6	119.1
Power Consumption	kW	39.2	50.0	60.0
COP	kW/kW	2.99	2.93	2.93
EER	Btu/hr.W	10.2	10.00	10.00
Compressor	Type	Semi-Hermetic Screw		
	Quantity	1		
	Capacity Step	%	100,75,50,0	100,75,50,0
	Starting method	Sequence Y-Deltat		
Fan	Type	Propeller		
	Quantity	4		
	Output	W	1,550 × 4	1,550 × 4
Condenser	Cross Fin Coil			
Evaporator	Shell & Tube			
Refrigerant control	Thermal Expansion Valve			
Refrigerant	R-134a			
Safety Devices	High & Low pressure switch, Anti-frozen switch, Compressor off-cycle protector, Compressor overload switch, Compressor internal thermal protector, Reversal phase protector, Oil level switch, Fan motor internal thermal protector			
Water Pump	kw	—		
Pipe	Chiller inlet/outlet	3B Flange	3B Flange	4B Flange
	Draining	—		
Dimensions	Height	mm	2,400	2,400
	Width	mm	3,335	3,335
	Depth	mm	2,050	2,050
Foundation-hole pitches	Width	mm	1,415 - 1,375	1,415 - 1,375
	Depth	mm	1,805	1,805
Weight	kg	1,950	2,150	2,250

Notes:

- Cooling capacity is based on: chiller water inlet temperature 12°C, outlet temperature 7°C; ambient temperature. 35°CDB/ 24°CWB, Fouling factor :0.0001m²°C/W
- Operating limitation: ambient temperature 10°C~43°C; Chiller water temperature 5°C~16°C
- Owing to technological advances, the above specifications might be updated without early notice.
- If any other special specifications are needed, please notify our sales in advance.
- 1KW=860 kcal/hr;1kcal/hr=3.968 Btu/hr.

TCA-80/100HF2B



Specifications

Model		TCA-80HF2B	TCA-100HF2B
Power source		3Ø 380V 50Hz	
Cooling Capacity	kW	234.4	293.0
	Btu/hr	800,000	1,000,000
Water flow rate	L/min	672	840
Running Current	A	175.9	215.3
Power Consumption	kW	82.0	102.5
COP	kW/kW	2.86	2.86
EER	Btu/hr.W	9.76	9.76
Compressor	Type	Semi-Hermetic Screw	
	Quantity	2	
	Capacity Step	%	100,75,50,25,0
	Starting method	Sequence Y-Deltat	
Fan	Type	Propeller	
	Quantity	8	
	Output	W	1,550 × 8
Condenser	Cross Fin Coil		
Evaporator	Shell & Tube		
Refrigerant control	Thermal Expansion Valve		
Refrigerant	R-134a		
Safety Devices	High & Low pressure switch, Anti-frozen switch, Compressor off-cycle protector, Compressor overload switch, Compressor internal thermal protector, Reversal phase protector, Oil level switch, Fan motor internal thermal protector		
Water Pump	kw	—	
Pipe	Chiller inlet/outlet	4B Flange	
	Draining	---	
Dimensions	Height	mm	2,400
	Width	mm	5,690
	Depth	mm	2,050
Foundation-hole pitches	Width	mm	1,400-1,995-1,400
	Depth	mm	1,805
Weight	kg	3,800	3,950

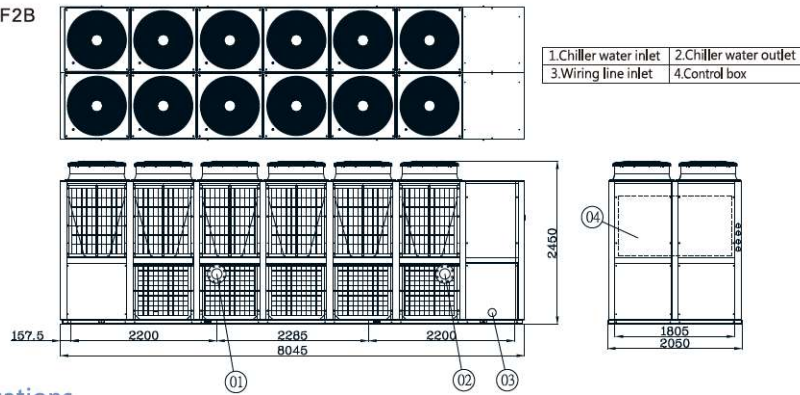
Notes:

- Cooling capacity is based on: chiller water inlet temperature 12°C, outlet temperature 7°C; ambient temperature. 35°CDB/ 24°CWB, Fouling factor :0.0001m²°C/W
- Operating limitation: ambient temperature 10°C~43°C; Chiller water temperature 5°C~16°C
- Owing to technological advances, the above specifications might be updated without early notice.
- If any other special specifications are needed, please notify our sales in advance.
- 1KW=860 kcal/hr;1kcal/hr=3.968 Btu/hr.

Air-Cooled Chillers



TCA-120HF2B



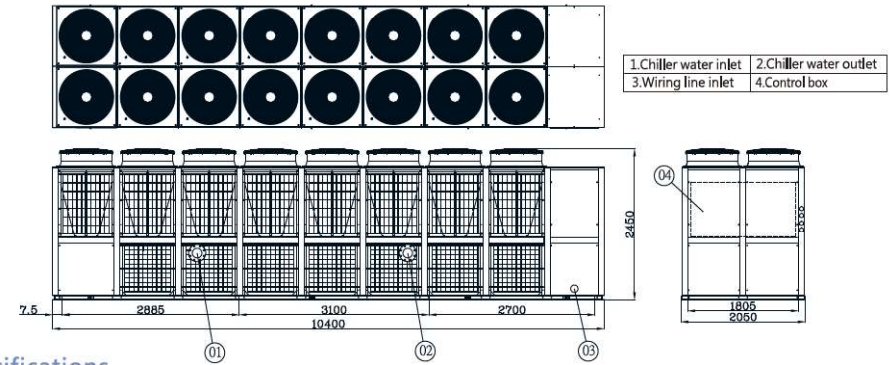
Specifications

Model		TCA-120HF2B	
Power source		3Ø 380V 50Hz	
Cooling Capacity	kW	351.7	
	Btu/hr	1,200,000	
Water flow rate	L/min	1,008	
Running Current	A	259.1	
Power Consumption	kW	126.0	
COP	kW/kW	2.79	
EER	Btu/hr.W	9.52	
Compressor	Type	Semi-Hermetic Screw	
	Quantity	2	
	Capacity Step	%	100,75,50,25,0
	Starting method	Sequence Y-Deltat	
Fan	Type	Propeller	
	Quantity	12	
	Output	W	1,550 × 12
Condenser	Cross Fin Coil		
Evaporator	Shell & Tube		
Refrigerant control	Thermal Expansion Valve		
Refrigerant	R-134a		
Safety Devices	High & Low pressure switch, Anti-frozen switch, Compressor off-cycle protector, Compressor overload switch, Compressor internal thermal protector, Reversal phase protector, Oil level switch, Fan motor internal thermal protector		
Water Pump	kw	—	
Pipe	Chiller inlet/outlet	5B Flange	
	Draining	—	
Dimensions	Height	mm	2,450
	Width	mm	8,045
	Depth	mm	2,050
Foundation-hole pitches	Width	mm	2,200-2,285-2,200
	Depth	mm	1,805
Weight	kg	5,200	

Notes:

- Cooling capacity is based on: chiller water inlet temperature 12°C, outlet temperature 7°C; ambient temperature. 35°CDB/ 24°CWB, Fouling factor :0.0001m²°C/W
- Operating limitation: ambient temperature 10°C~43°C; Chiller water temperature 5°C~16°C
- Owing to technological advances, the above specifications might be updated without early notice.
- If any other special specifications are needed, please notify our sales in advance.
- 1KW=860 kcal/hr;1kcal/hr=3.968 Btu/hr.

TCA-150/180HF2B



Specifications

Model		TCA-150HF2B		TCA-180HF2B	
Power source		3Ø 380V 50Hz			
Cooling Capacity	kW	439.6			527.5
	Btu/hr	1,500,000			1,800,000
Water flow rate	L/min	1,260			1,512
Running Current	A	325.2			386.4
Power Consumption	kW	157.5			189.1
COP	kW/kW	2.79			2.79
EER	Btu/hr.W	9.52			9.52
Compressor	Type	Semi-Hermetic Screw		Semi-Hermetic Screw	
	Quantity	2		2	
	Capacity Step	%	100,75,50,25,0	100,75,50,25,0	
	Starting method	Sequence Y-Deltat		Sequence Y-Delta	
Fan	Type	Propeller		Propeller	
	Quantity	16		16	
	Output	W	1,550 × 16	1,550 × 16	
Condenser	Cross Fin Coil				
Evaporator	Shell & Tube				
Refrigerant control	Thermal Expansion Valve				
Refrigerant	R-134a				
Safety Devices	High & Low pressure switch, Anti-frozen switch, Compressor off-cycle protector, Compressor overload switch, Compressor internal thermal protector, Reversal phase protector, Oil level switch, Fan motor internal thermal protector				
Water Pump	kw	—		—	
Pipe	Chiller inlet/outlet	5B Flange		5B Flange	
	Draining	—		—	
Dimensions	Height	mm	2,450	2,450	
	Width	mm	10,400	10,400	
	Depth	mm	2,050	2,050	
Foundation-hole pitches	Width	mm	2,885-3,100-2,700	2,885-3,100-2,700	
	Depth	mm	1,805	1,805	
Weight	kg	6,500			7,500

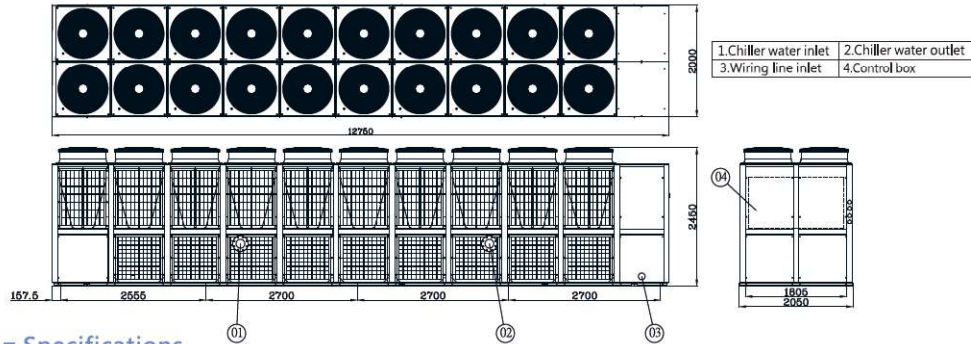
Notes:

- Cooling capacity is based on: chiller water inlet temperature 12°C, outlet temperature 7°C; ambient temperature. 35°CDB/ 24°CWB, Fouling factor :0.0001m²°C/W
- Operating limitation: ambient temperature 10°C~43°C; Chiller water temperature 5°C~16°C
- Owing to technological advances, the above specifications might be updated without early notice.
- If any other special specifications are needed, please notify our sales in advance.
- 1KW=860 kcal/hr;1kcal/hr=3.968 Btu/hr.

Air-Cooled Chillers



TCA-200HF2B



Specifications

Model		TCA-200HF2B	
Power source		3Ø 380V 50Hz	
Cooling Capacity	kW	586.1	
	Btu/hr	2,000,000	
Water flow rate	L/min	1,680	
Running Current	A	436.3	
Power Consumption	kW	212.3	
COP	kW/kW	2.76	
EER	Btu/hr.W	9.42	
Compressor	Type	Semi-Hermetic Screw	
	Quantity	2	
	Capacity Step	%	100,75,50,25,0
	Starting method		Sequence Y-Deltat
Fan	Type	Propeller	
	Quantity		20
	Output	W	1,550 × 20
Condenser		Cross Fin Coil	
Evaporator		Shell & Tube	
Refrigerant control		Thermal Expansion Valve	
Refrigerant		R-134a	
Safety Devices		High & Low pressure switch, Anti-frozen switch, Compressor off-cycle protector Compressor overload switch, Compressor internal thermal protector. Reversal phase protector, Oil level switch, Fan motor internal thermal protector	
Water Pump	kw	—	
Pipe	Chiller inlet/outlet	6B Flange	
	Draining	—	
Dimensions	Height	mm	2,450
	Width	mm	12,750
	Depth	mm	2,050
Foundation-hole pitches	Width	mm	2,555-2,700-2,700-2,700
	Depth	mm	1,805
Weight	kg		9,500

Notes:

- Cooling capacity is based on: chiller water inlet temperature 12°C, outlet temperature 7°C, ambient temperature. 35°CDB/ 24°CWB, Fouling factor :0.0001m²°C/W
- Operating limitation: ambient temperature 10°C~43°C; Chiller water temperature 5°C~16°C
- Owing to technological advances, the above specifications might be updated without early notice.
- If any other special specifications are needed, please notify our sales in advance.
- 1KW=860 kcal/hr; 1kcal/hr=3.968 Btu/hr.

Air Handling Unit



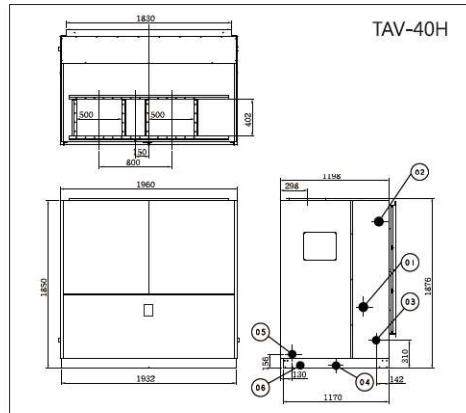
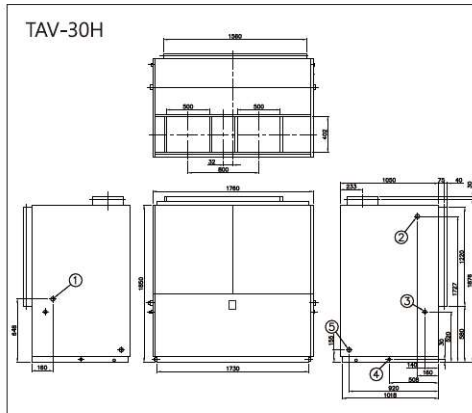
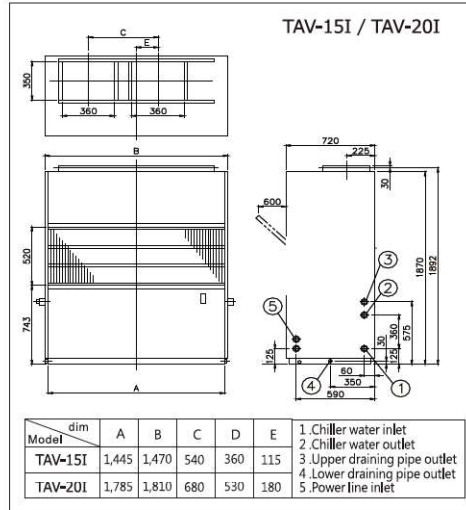
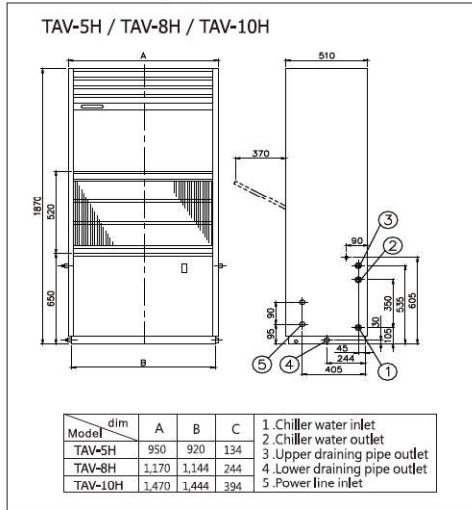
Specifications

Model	TAV-5H	TAV-8H	TAV-10H	TAV-15I	TAV-20I	TAV-30H	TAV-40H		
Power Source		3Ø 380V 50Hz							
Cooling Capacity	kw	17.6	26.4	35.2	53.0	70.3	105.5	141.0	
	Btu/hr	60,000	90,000	120,000	180,000	240,000	360,000	480,000	
Chiller Water	L / min	45	75	100	150	200	300	400	
Head loss	mH ₂ O	3.0	3.0	3.5	3.0	3.0	3.0	3.5	
Fan	Type	Dual suction multi-blades							
	Air volume	CMM	45	68	90	135	180	270	360
	Motor output	kw	0.4	0.75	0.75	2.2	3.7	5.5	7.5
External static pressure	Plenum chamber	Standard			Optional		—		
	Standard	pa	0	0	0	80	80	150	200
Optional	pa	50	50	50	0	0	—	—	
Evaporator		Cross fin coil							
Safety devices		Fan motor overload switch							
Chiller water inlet & outlet	inch	1 1/4	1 1/2	1 1/2	2	2	2 1/2	2 1/2	
Drain pipe	inch	1	1	1	1	1	1	1	
Dim.	Height	mm	1,870	1,870	1,870	1,870	1,870	1,850	
	Width	mm	950	950	1,470	1,470	1,810	1,760	1,960
	Depth	mm	510	510	510	720	720	1,050	1,200
Weight	kg	130	180	240	300	360	450	550	

Notes:

- Cooling capacity is based on indoor air temperature 27°CDB/19.0°C WB, entering chiller water temperature 7°C and leaving chiller water temperature 12°C.
- 1KW=860 kcal/hr ; 1kcal/hr=3.968 Btu/hr.

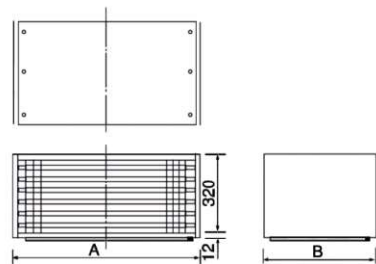
■ Dimensions (mm)



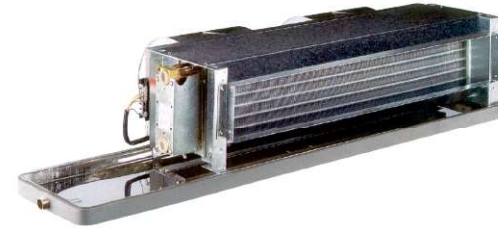
Plenum Chamber (Optional for free blow type)



Model	Dimensions:			Fitting units
	Height	Width(A)	Depth(B)	
FA-15	342	1470	720	TAV-15I
FA-20	342	1810	720	TAV-20I



FAN COIL UNITS Ceiling Concealed Type



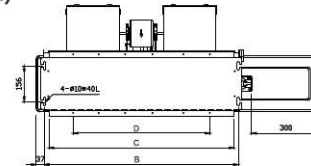
■ Specifications

MODEL	TFWM-302C	TFWM-402C	TFWM-602C	TFWM-802C	TFWM-1002C	TFWM-1202C	TFWM-1402C	TFWM-1602C	
Cooling Capacity	kcal/hr	2,500	3,000	4,500	6,000	7,500	9,000	10,500	15,000
	kw	2.9	3.5	5.2	7.0	8.7	10.5	12.2	17.4
Power source	1ø 220V 50HZ								
Moter Quantity	1	1	1	1	2	2	2	1	
Fan	Type	Dual suction multi-blades							
	Quantity	1	1	2	2	3	4	4	2
	Air volume (CFM)	300	400	600	800	1,000	1,200	1,400	1,600
	External static pressure (mmAq)	4	4	4	4	4	4	4	4
Coil	Type	Cross fin coil							
	Water flow (L/min)	8.3	10	15	20	25	30	35	50
	Water conn (Inch)	3/4"							
Dimensions	Height (mm)	252	252	252	252	252	252	252	340
	Width (mm)	850	1,040	1,240	1,470	1,690	1,900	2,090	1,717
	Depth (mm)	489	489	489	489	489	489	489	530
Weight (kg)	18	22	28	33	42	50	60	75	

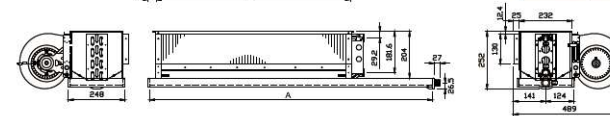
Notes : Cooling capacity is based on indoor air temperature 27°CDB/19.0°CWB, entering chiller water temperature 7°C and leaving chiller water temperature 12°C.

■ Dimensions (mm)

TFWM-302~1402C



MODEL	Dimensions			
	A	B	C	D
302C	850	460	422	P200x1=200
402C	1,040	650	612	P200x2=400
602C	1,240	850	812	P200x3=600
802C	1,470	1,080	1,042	P200x5=1000
1002C	1,690	1,300	1,262	P200x6=1200
1202C	1,900	1,510	1,472	P200x7=1400
1402C	2,090	1,700	1,662	P200x8=1600
1602C	1,690	1,300	1,260	P200x5=1000



TFWM-1602C

